

SA0N1S0G SMA Female Short Connector, PCB Side Mount

V2.2

Electrical Characteristics

- Impedance: 50 Ohm
- Insulation resistance: $\geq 5000M$ Ohm
- Dielectric Withstanding Voltage: 800V RMS /50Hz
- Center Contact Resistance.: ≤ 5 mohm
- Outer Contact Resistance: ≤ 3 mohm
- Working Temperature: $-55^{\circ}C \sim +155^{\circ}C$



Material and Plating

Parts Name	Material	Plating
Body	HPb59-1	Au
Insulator	PTFE	-
Center conductor	HPb59-1	Au

DIMENSIONS

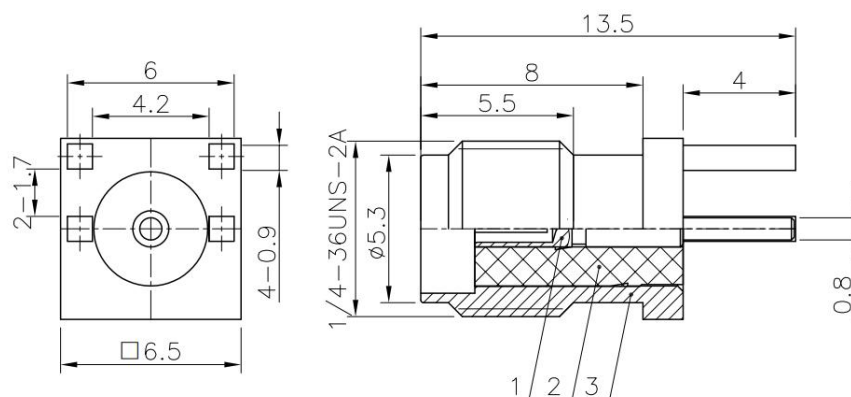


Figure 1: SA0N1S0G-xBA

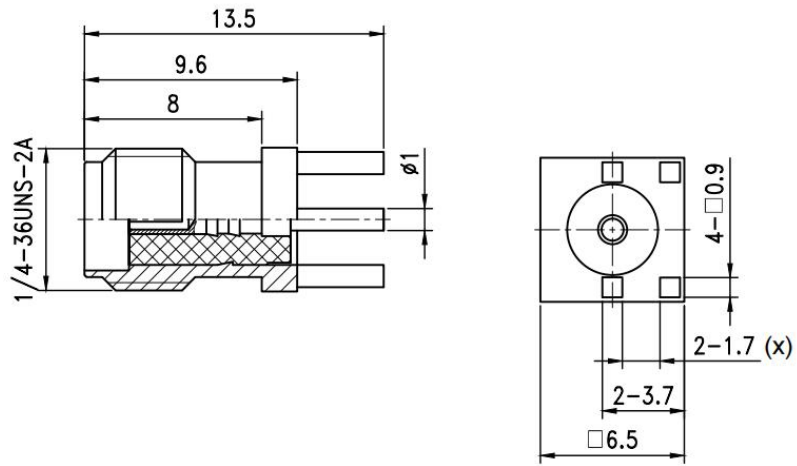


Figure 2: SA0N1S0G-1.7DA

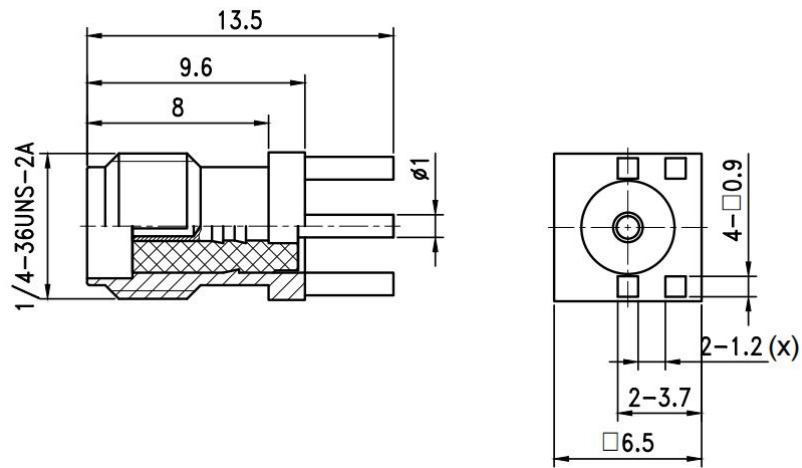


Figure 3: SA0N1S0G-1.2DA

NOMENCLATURE**SA0N1S0G — x D A 30**

① ② ③ ④ ⑤

Num	Symbol	Explanation
①	Connector Type	SMA female short connector, PCB side mount
②	Pin Spacing	1.7---1.7mm, 1.2---1.2mm
③	Internal Code	Factory code
④	Variant	A, B ,C, D - differences in dimensions
⑤	Plating Level	30, 18, 00; larger number means longer plating time

Table 1: Explanation of Nomenclature

ORDER INFORMATION

Part Number	Description
SA0N1S0G-1.7BA30	1.7mm pin spacing PCB side mount SMA female short connector, Plating level: 30
SA0N1S0G-1.7DA30	1.7mm pin spacing PCB side mount SMA female short connector, Plating level: 30
SA0N1S0G-1.7DA00	1.7mm pin spacing PCB side mount SMA female short connector, Plating level: 00
SA0N1S0G-1.2DA30	1.2mm pin spacing PCB side mount SMA female short connector, Plating level: 30

Table 2: Order Information

Dorji Industrial Group Co., Ltd reserves the right to make corrections, modifications, improvements and other changes to its products and services at any time and to discontinue any product or service without notice. Customers are expected to visit websites for getting newest product information before placing orders.

These products are not designed for use in life support appliances, devices or other products where malfunction of these products might result in personal injury. Customers using these products in such applications do so at their own risk and agree to fully indemnify Dorji Industrial Group for any damages resulting from improper use.