

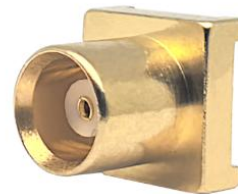
MC0N1T0S

MCX Female Straight Connector, PCB Surface Mount

V1.10

Electrical Characteristics

- Impedance: 50 Ohm
- Insulation resistance: $\geq 1000M$ Ohm
- Dielectric Withstanding Voltage: 750V
- Center Contact Resistance.: ≤ 5 mohm
- Outer Contact Resistance: ≤ 3 mohm
- Working Temperature: $-40^{\circ}C \sim +125^{\circ}C$



Material and Plating

Parts Name	Material	Plating
Body	HPb59-1	Au
Insulator	SFX-1-1	-
Center conductor	HPb59-1	Au

DIMENSIONS

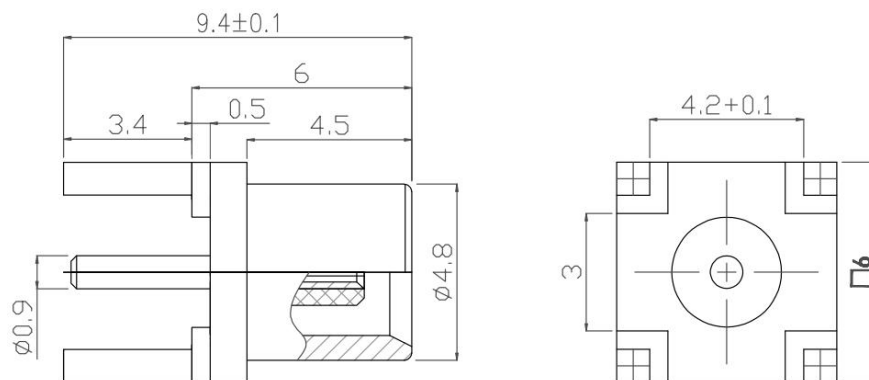


Figure 1: MC0N1T0S-CA

NOMENCLATURE

MC0N1T0S --- C A 30

① ② ③ ④

Num	Symbol	Explanation
①	Connector Type	MCX female straight connector, PCB surface mount
②	Internal Code	Factory production code
③	Variant	A, B ,C, D - differences in dimensions
④	Plating level	18, 30, 48 - larger number means longer plating time

Table 1: Explanation of Nomenclature

ORDER INFORMATION

Part Number	Description
MC0N1T0S-CA30	MCX female straight connector, PCB surface mount, Plating level: 30

Table 2: Order Information

Dorji Industrial Group Co., Ltd reserves the right to make corrections, modifications, improvements and other changes to its products and services at any time and to discontinue any product or service without notice. Customers are expected to visit websites for getting newest product information before placing orders.

These products are not designed for use in life support appliances, devices or other products where malfunction of these products might result in personal injury. Customers using these products in such applications do so at their own risk and agree to fully indemnify Dorji Industrial Group for any damages resulting from improper use.